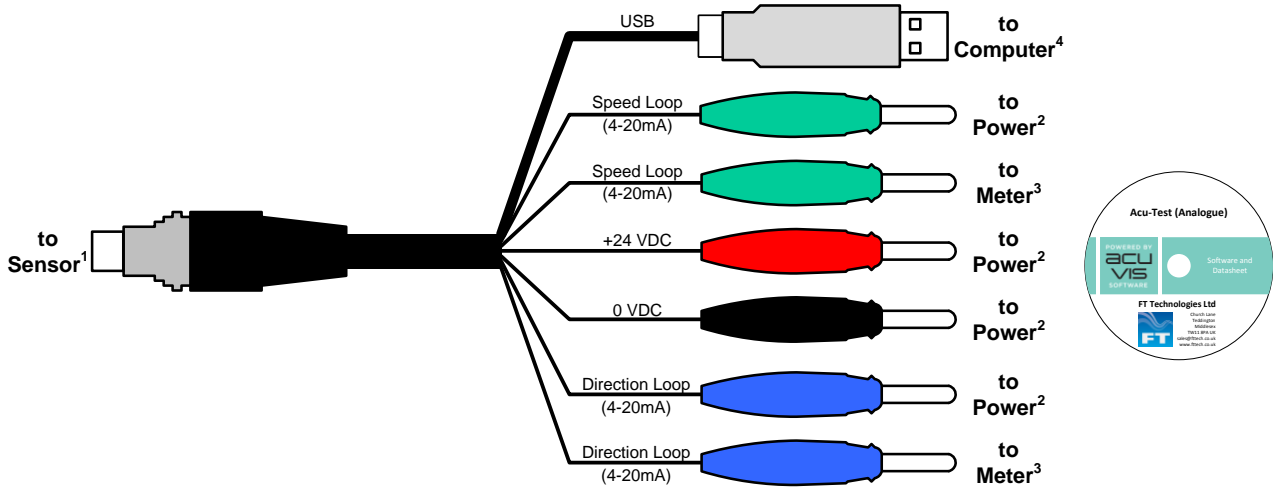




Acu-Test (Analogue)

FT Technologies Test Equipment makes it easy to test, evaluate and change the settings on the FT range of analogue output wind sensors. The Acu-Test (Analogue) pack is made-up of the FT055 cable and our Acu-Vis software.

INCLUDED IN THE PACK

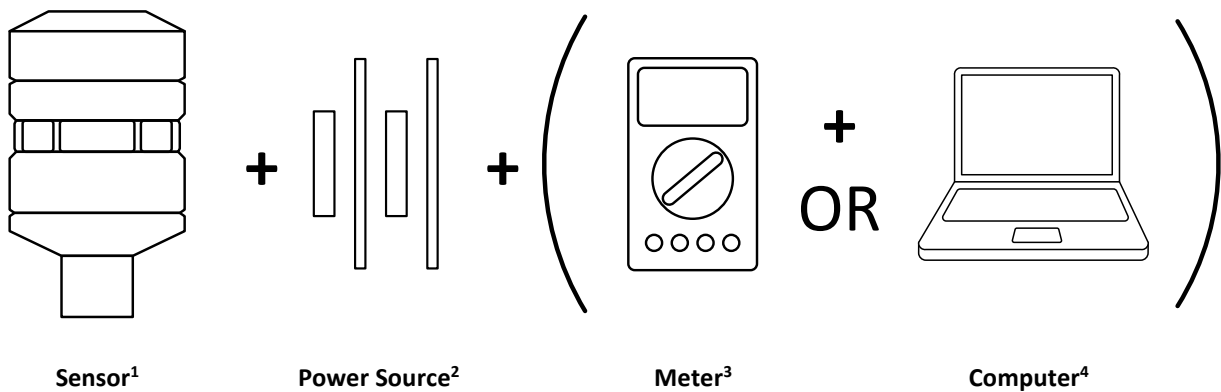


1x FT055 cable

1x Acu-Vis CD

Each cable is labelled with a unique serial number and build date to ensure quality and traceability. Cable accessories include a protection cap for sensor connector and an adjustable rubber sleeve to keep the wires tidy. For full connection details please visit our [website](#).

YOU WILL ALSO NEED



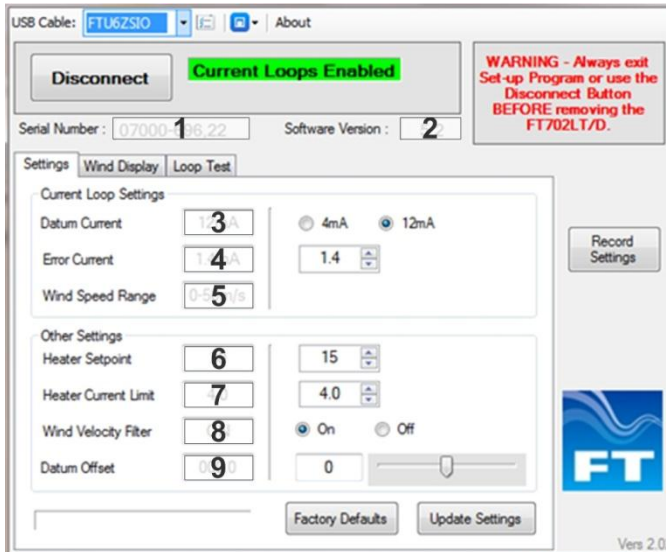
1. This equipment can only be used to test the FT range of analogue output wind sensors.
2. Use a bench power supply unit, 20-30 VDC (6A), Rechargeable Battery or +24 VDC Laptop charger.
3. The sensor current loops can be measured using an ammeter, voltmeter or oscilloscope.
4. Acu-Vis software will run on Window XP, Vista or Windows 7 computers.



Acu-Test (Analogue)

ACU-VIS SOFTWARE

The Acu-Vis software can be installed from the CD provided and is available in English, French and Chinese. The software automatically finds and identifies if a FT055 cable is connected to the computer.



1. Sensor Serial Number including Version Number
2. Software Version on Sensor
3. Datum Current Configuration
4. Error Current
5. Wind Speed Range
6. Heater Setpoint
7. Heater Current Limit
8. Wind Velocity Filter
9. Datum Offset



Above - Screen shot with sensor 7000-696 connected

CHANGING SETTINGS

Settings can be saved in a log file along with a time and date stamp. Making it easy to keep a record of which settings are applied to every sensor.

Depending on the sensor version, different settings can also be changed.

- The options that are configurable can be selected and the “*Update Settings*” button used to apply these settings to the sensor.
- It is also possible to return the sensor to its original settings using the “*Factory Defaults*” button.

SEEING THE SENSOR WORK

By clicking on the “*Wind Display*” tab, you can visualise the real time air flow that the sensor is calculating



By clicking on the “*Loop Test*” tab, you can step the analogue electronics and current loop outputs through a test routine. This sets the outputs to fixed values that can then be measured allowing you to check their accuracy.

**The Acu-Test (Analogue) pack is available from sales@fttech.co.uk
+24 VDC Laptop charger (available on request).**